

Turbine Series - 75500MAX-MAXM

FUEL

Specifications:

Height: MAX/MAXP 11.5" (29.21 cm)
MAXM 10.58" (29.08 cm)

Width: 14.5" (36.8 cm) with Bracket

Depth: 9.88" (25.1 cm) with Bracket

Weight: 17.0 lbs (7.7 kg)

Ports: 3/4"-16 UNF-2B
(SAE J1926 O-ring Boss)

Service Clearance (Top): 4.0" (10.16 cm)

Vacuum Installation Recommended
Maximum Pressure: 15 psi (1.03 bar)

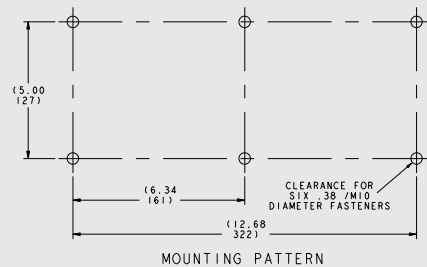
Max Flow Rate: 120 gph (454 lph)

Create a Part Number

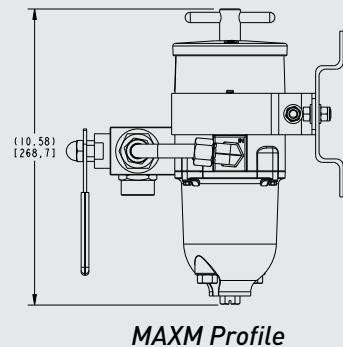
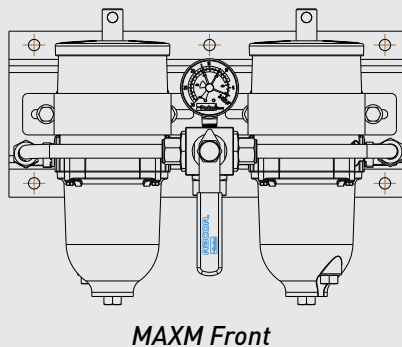
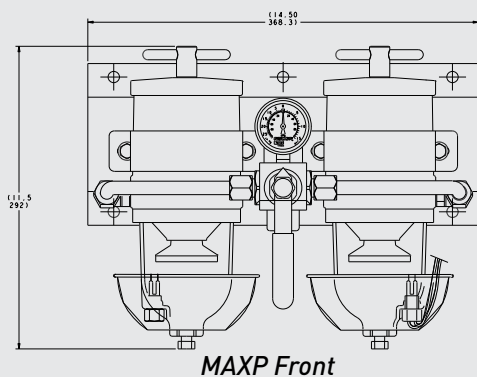
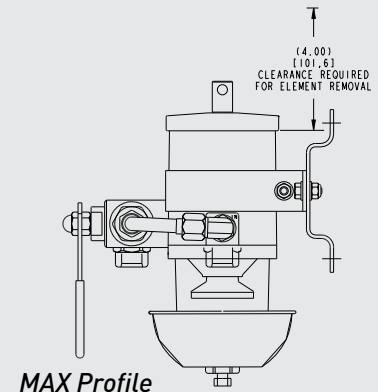
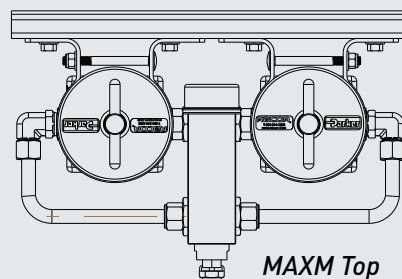
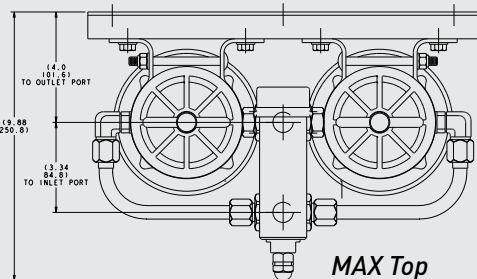
Housing Type	Dual Assembly	75
Filtration Model	Turbine Model 60/120 GPH Flow Rate	500MA
Valve Type	6 Port Valve	X
Assembly Options	Metal Bowl Option WIF Probe Option	M P
Filtration Rating	2 micron 10 micron 30 micron	2 10 30

RACOR®

Dimensions:



ASSEMBLY	DESCRIPTION
75500MAX2	Marine - Dual 500 Turbine Assy., 2 micron Filter
75500MAX10	Marine - Dual 500 Turbine Assy., 10 micron Filter
75500MAX30	Marine - Dual 500 Turbine Assy., 30 micron Filter
75500MAXM2	Marine - Metal Bowl - Dual 500 Turbine Assy., 2 micron Filter
75500MAXM10	Marine - Metal Bowl - Dual 500 Turbine Assy., 10 micron Filter
75500MAXM30	Marine - Metal Bowl - Dual 500 Turbine Assy., 30 micron Filter
75500MAXP30	Marine - Dual 500 Turbine Assy., Water Sensor Probe, 30 micron Filter



DUAL ASSEMBLIES

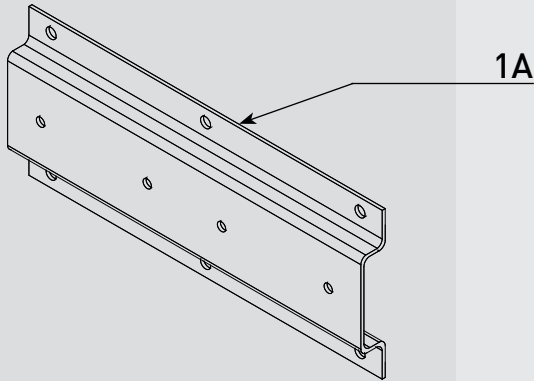


WARNING: The products described in this literature can expose you to chemicals including Diisononyl phthalate, Carbon black extract, which are known to the State of California to cause cancer. For more information go to www.P65Warnings.ca.gov.

PARTS

Turbine Series - 75500MAX-MAXM

1



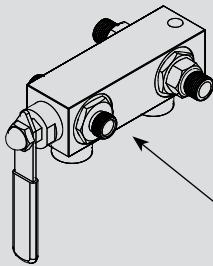
1A

2



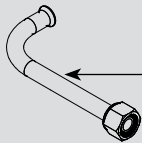
2A

3



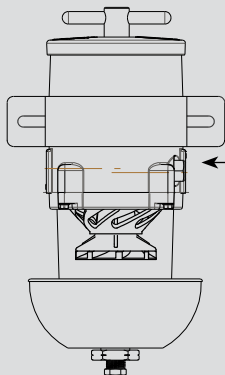
3A

4



4A

5



5A

See RSL0289
For 500MA/MAM
Parts Breakdown

Part #	Description
1A	Mounting Bracket - Bracket only (Tan)
2A	RK19669 Vacuum Gauge (30" Hg) - 3 needles: Theshold (red), Max Change Out (Red - Adjustable), Gauge (Black) RK19667 <i>Optional</i> - Compound Gauge Kit (Vacuum 30" HG / Pressure 15psi)
3A	RK 15390 6-Port Ball Valve - 1.5 in. Body RK 15419 Valve Rebuild Kit - For 2.0 in. Valve Body Only
4A	RK 15391 Rigid Tubing Kit - Includes (1ea.) Tube, Ferrule and Fitting
5A	Turbine Fuel Filter - 500MA/MAM Series See Cutsheet RSL0289 for available Parts and Accessories

Accessories and Parts Available (Not Shown)

6A	RK 15211	Complete Seal Service Kit - 500 Series Filters (<i>Requires 2</i>)
6B	RK 21069	WIF Probe Kit - 1/2"-20 UNF - 2-wire (MA) - Requires 6C
	RK23191	WIF Probe Kit (Stainless Steel) - 1/2"-20 UNF - 2-wire (MAM) - Requires 6C
6C	RK 14329	Water Detection Module - 12 vdc
	RK 14321	Water Detection Module - 24 vdc
7A		Bowl Gasket - Included in 6A
7B	RK 15279-01	Bowl Kit (Clear) - Includes 7A, 8A and Drain Seal/Gasket
7C	RK 15301-02	Bowl Kit (Metal) - Includes 7A, 8B, 9C and 10B
8A	RK 20126	Bowl Plug Kit (MA) - Nylon - 1/2"-20 UNF
8B	RK 20022	Bowl Plug Kit (MAM) - Metal - 1/2"-20 UNF
9A	RK 11-1910	Drain Plug Kit (MA)
9B	RK 15104	Heat Deflector (MA) - Includes 9A
9C		Drain Plug (MAM) - <i>Contact Technical Support</i>
10A	RK 15035-01	Bowl Ring - (For MA Only - White) Includes 7A
10B	RK 15081	Bowl Fasteners (set of 4)
11A	2010SM-OR	Replacement Element 2 micron
	2010TM-OR	Replacement Element 10 micron
	2010PM-OR	Replacement Element 30 micron

Valve Operations

