

Turbine Series - 75900FV/751000FV

FUEL

Specifications: Diesel Applications

Height: 75900FV: 17.12" (43.47 cm)
751000FV: 22.23" (56.47 cm)

Width: 15.06" (38.25 cm)

Depth: 7.96" (20.22 cm)

Weight: 75900FV: 20.2 lbs (9.2 kg)
751000FV: 21.8 lbs (9.9 kg)

Ports: 1 5/16"-12 UN-2B (SAE 1926-1)
2X Port Plugs Supplied
2X 3/4" NPTF Adapters Supplied

Service Clearance (Top):
75900FV: 5.0" (12.7 cm)
751000FV: 10.0" (25.4 cm)

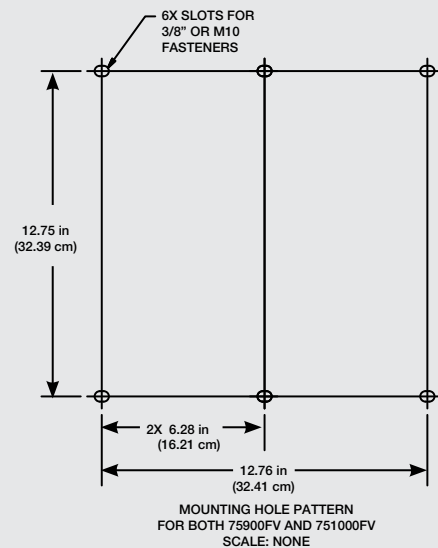
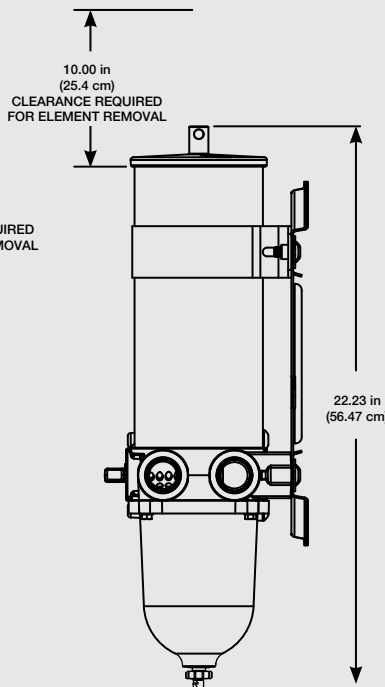
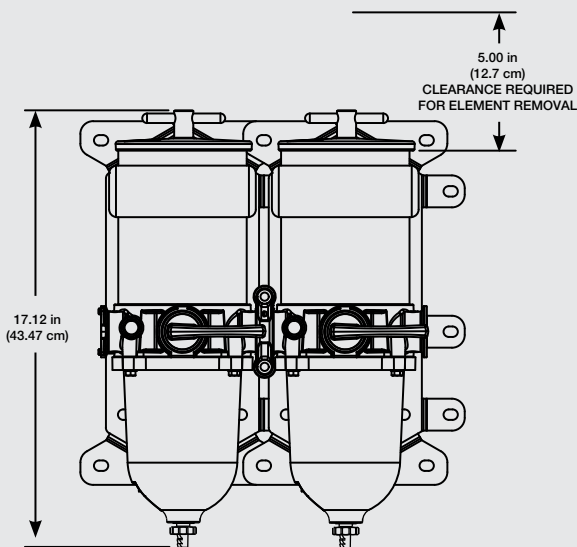
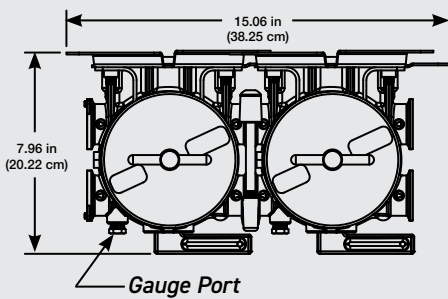
Vacuum Installation Recommended
Maximum Head Pressure: 15 psi (1.03 bar)

Max Flow Rate: 75900FV: 180 gph (681 lph)
751000FV: 360 gph (1362 lph)

Create a Part Number

Housing Type	Turbine Model - Dual 90/180 GPH Flow Rate	Turbine Model - Dual 180/360 GPH Flow Rate	Accessory Options		Filtration Rating
	75900FV	751000FV	12 VDC Heater (325 watt)	24 VDC Heater (325 watt)	

Dimensions:

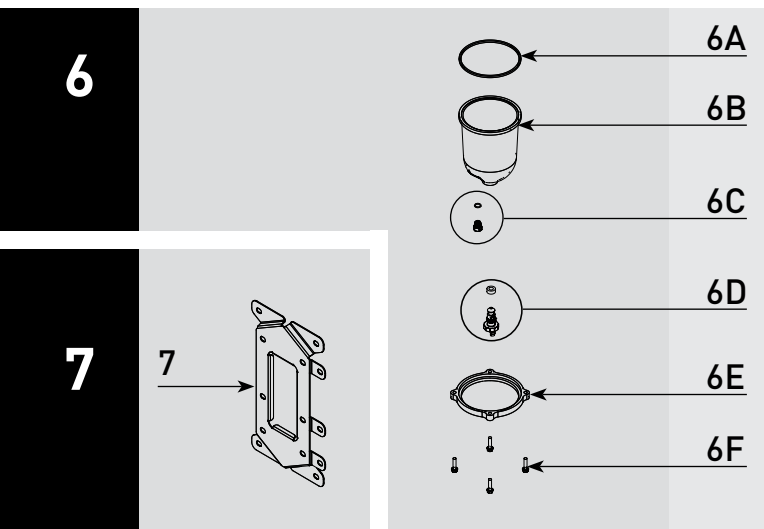
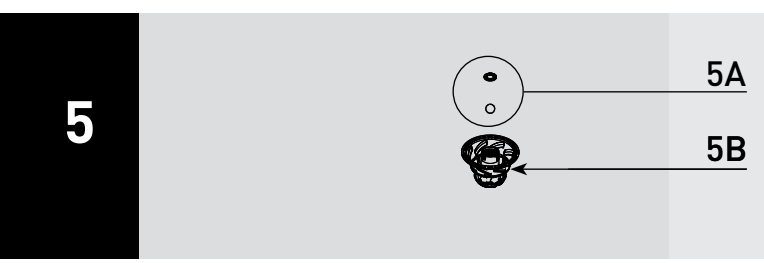
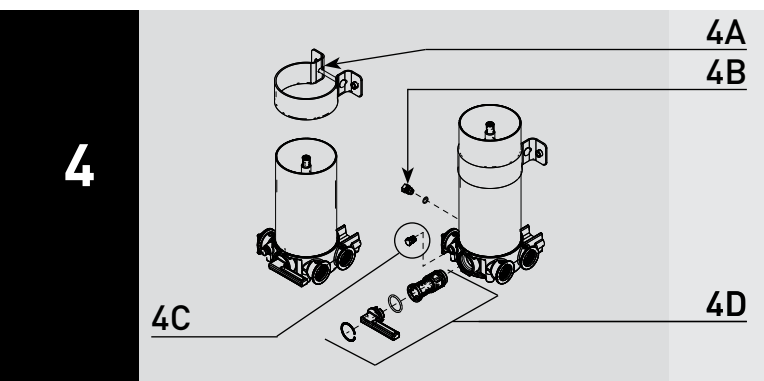
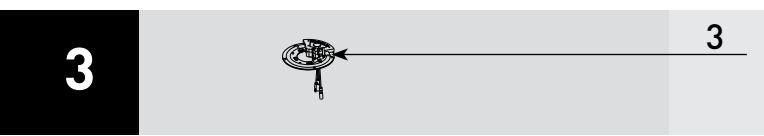
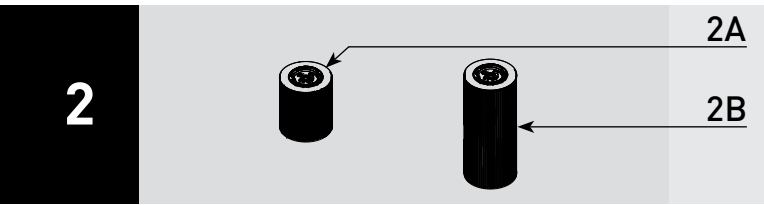
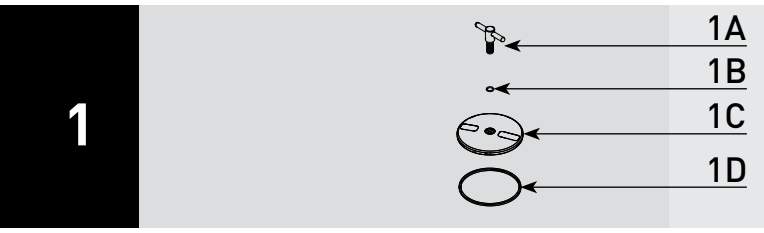


ASSEMBLY	DESCRIPTION
75900FV10	75900 Dual Turbine Assy., 10 micron Filter
75900FV1210	75900 Dual Turbine Assy., 12VDC Heater, 10 micron Filter
75900FV2410	75900 Dual Turbine Assy., 24VDC Heater, 10 micron Filter
751000FV10	751000 Dual Turbine Assy., 10 micron Filter
751000FV1210	751000 Dual Turbine Assy., 12VDC Heater, 10 micron Filter
751000FV2410	751000 Dual Turbine Assy., 24VDC Heater, 10 micron Filter



PARTS

Turbine - 75900FV/751000FV Series



Part #	Description
1A	RK11-2076 T-handle/Lid Kit - Includes 1B, 1C & 1D
1B	T-handle O-ring - Included in 8A
1C	900FV/1000FV Lid
1D	Lid Gasket - Included in 8A

2A	2040V2 900FV Service Filter 2 micron - Includes 1B & 1D 2040V2LL 900FV Service Filter 2 micron (Long Life) - Includes 1B & 1D 2040V10 900FV Service Filter 10 micron - Includes 1B & 1D 2040V30 900FV Service Filter 30 micron - Includes 1B & 1D
2B	2020V2 1000FV Service Filter 2 micron - Includes 1B & 1D 2020V2LL 1000FV Service Filter 2 micron (Long Life) - Includes 1B & 1D 2020V10 1000FV Service Filter 10 micron - Includes 1B & 1D 2020V30 1000FV Service Filter 30 micron - Includes 1B & 1D

3	RK11-2016 Heater Kit - 12 vdc, 325 watt - Includes 1B & 1D <i>Recommended RK 11861 Heater Relay Kit</i> RK11-2015 Heater Kit - 24 vdc, 325 watt - Includes 1B & 1D <i>Recommended RK 11862 Heater Relay Kit</i>
---	--

4A	RK11-2077 Bracket Kit - Includes Bracket, Bolt, Washer, and Nut
4B	RK 11-1679 Feed-thru Plug - O-ring Included in 8A
4C	RK11-2078 Vacuum Gauge Port Plug
4D	RK11-2079 Valve Rebuild Kit

5A	Checkball and Gasket - Included in 5B and 8A
5B	RK11-2080 Centrifuge/Baffle/Checkball/Gasket Kit - Includes 6A Checkball and Gasket - Included in 8A

6A	Bowl Gasket - Included in 8A
6B	RK11-2081 Bowl Kit - Includes 6A, 6C, 6D, 6E & 6F
6C	RK 20126 Bowl Plug (O-ring Included in 8A)
6D	Self-venting Drain (Gasket Included in 8A)
6E	Bowl Ring
6F	RK 11542 Cap Screw Bowl Fasteners (set of 4)

7	RK11-2083 Mounting Bracket Kit - Includes Bracket & 4 bolts
---	--

Accessories and Parts Available - *Not Shown*

8A	RK 11-1952 Complete Seal Service Kit - 900FV/1000FV Series Filters
8B	RK11-2085 900FV/1000FV Port Plug & Adapter Kit
8C	RK19671 Stainless Steel T-handle with Vacuum Gauge RK19668 Vacuum Gauge (30" Hg) - 1/4" NPT back or remote mount RK 19667 Compound Gauge - pressure (15 PSI) and vacuum (30" Hg)
8D	RK 14329 Water Detection Module - 12 vdc RK 14321 Water Detection Module - 24 vdc
8E	RK30880E WIF Sensor/Detection Kit - 1/2"-20 UNF
8F	RK11-1978 Checkball Spring Kit
8G	RKP1912 Primer Pump Kit - 12 vdc - <i>Adds 3.25" (8.26 cm) to Height</i> RKP1924 Primer Pump Kit - 24 vdc - <i>Adds 3.25" (8.26 cm) to Height</i>