

# Turbine Series - 791000FV

# FUEL

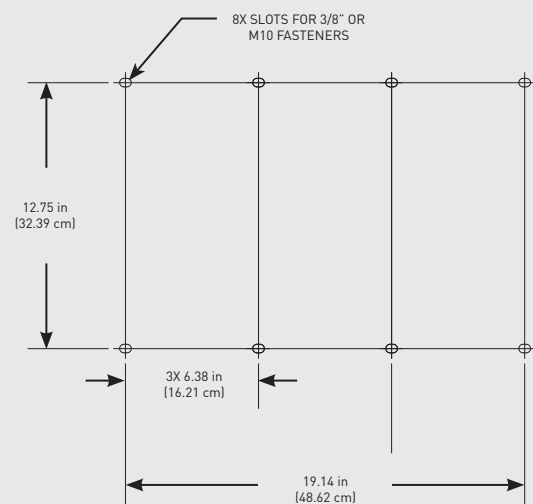
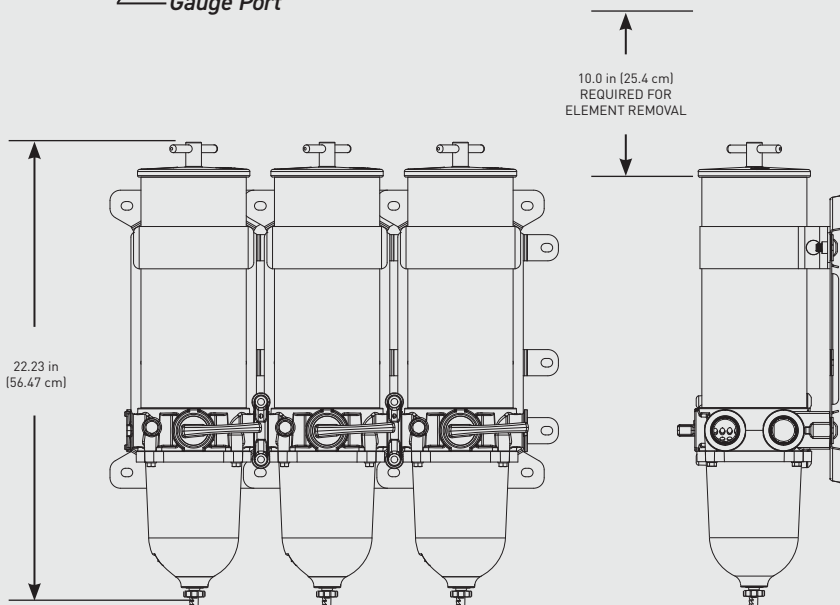
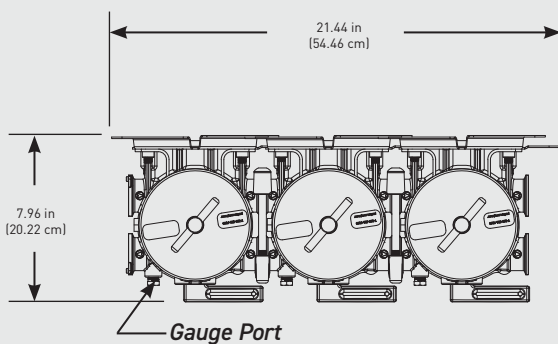
## Specifications:

**Height:** 22.23" (56.47 cm)  
**Width:** 21.44" (54.46 cm)  
**Depth:** 7.96" (20.22 cm)  
**Weight:** 32.8 lbs (14.9 kg)  
**Ports:** 1 5/16"-12 UN-2B (SAE 1926-1)  
 2X port Plugs Supplied  
 2X 3/4" NPTF Adapters Supplied  
**Service Clearance (Top):** 10.0" (25.4 cm)  
**Vacuum Installation Recommended**  
**Maximum Head Pressure:** 15 psi (1.03 bar)  
**Max Flow Rate:** 540 gph (2044 lph)

Create a Part Number

<b>Housing Type</b>	Turbine Model - Triple 180/360/540 GPH Flow Rate		<b>Accessory Options</b>	12 VDC Heater (325 watt) 24 VDC Heater (325 watt)		<b>Filtration Rating</b>	10 micron	
	791000FV			12	24		10	

## Dimensions:



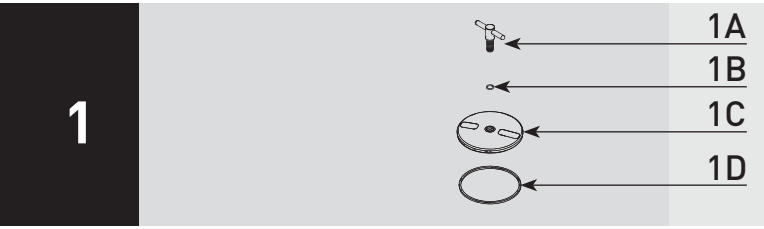
MOUNTING HOLE PATTERN  
FOR 791000FV  
SCALE: NONE

ASSEMBLY	DESCRIPTION
791000FV10	791000 Triple Turbine Assy., 10 micron Filter
791000FV1210	791000 Triple Turbine Assy., 12VDC Heater, 10 micron Filter
791000FV2410	791000 Triple Turbine Assy., 24VDC Heater, 10 micron Filter

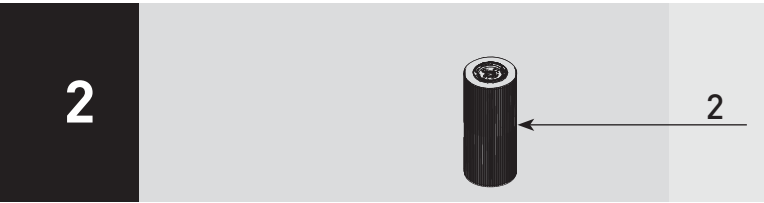


# PARTS

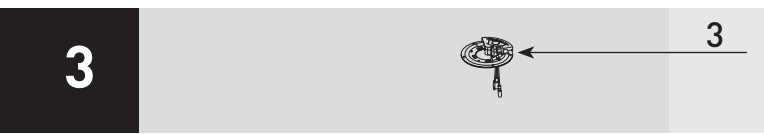
## Turbine - 791000FV Series



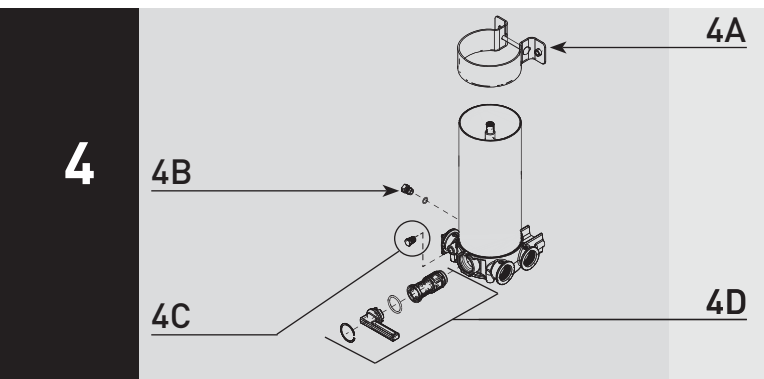
Part #	Description
1A	RK11-2076 T-handle/Lid Kit - <b>Includes 1B, 1C &amp; 1D</b>
1B	T-handle O-ring - <b>Included in 8A</b>
1C	900FV/1000FV Lid
1D	Lid Gasket - <b>Included in 8A</b>



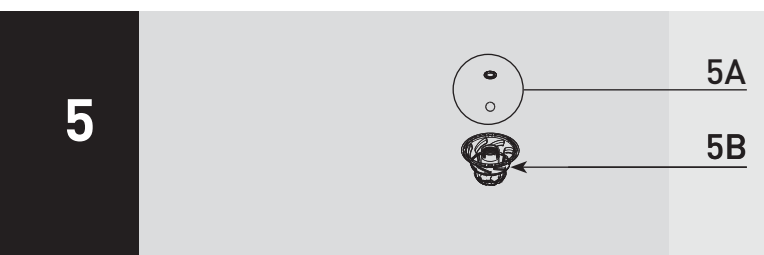
2	2020V2 2020V2LL 2020V10 2020V30	1000FV Service Filter 2 micron - <b>Includes 1B &amp; 1D</b> 1000FV Service Filter 2 micron (Long Life) - <b>Includes 1B &amp; 1D</b> 1000FV Service Filter 10 micron - <b>Includes 1B &amp; 1D</b> 1000FV Service Filter 30 micron - <b>Includes 1B &amp; 1D</b>
---	--	--



3	RK11-2016 RK11-2015	Heater Kit - 12 vdc, 325 watt - <b>Includes 1B &amp; 1D</b> <i>Recommended RK 11861 Heater Relay Kit</i> Heater Kit - 24 vdc, 325 watt - <b>Includes 1B &amp; 1D</b> <i>Recommended RK 11862 Heater Relay Kit</i>
---	------------------------	--



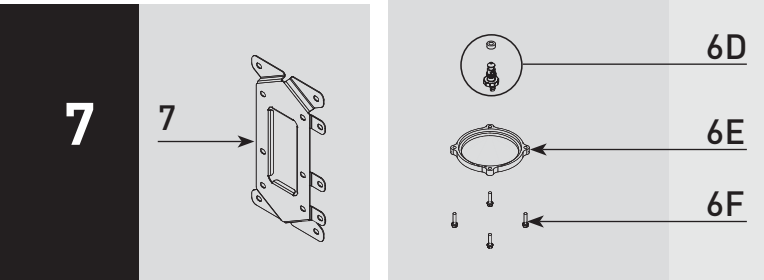
4A	RK11-2077	Bracket Kit - <b>Includes Bracket, Bolt, Washer, and Nut</b>
4B	RK 11-1679	Feed-thru Plug - <b>O-ring Included in 8A</b>
4C	RK11-2078	Vacuum Gauge Port Plug
4D	RK11-2079	Valve Rebuild Kit



5A		Checkball and Gasket - <b>Included in 5B and 8A</b>
5B	RK11-2080	Centrifuge/Baffle/Checkball/Gasket Kit - <b>Includes 6A</b> Checkball and Gasket - <b>Included in 8A</b>



6A		Bowl Gasket - <b>Included in 8A</b>
6B	RK11-2081	Bowl Kit - <b>Includes 6A, 6C, 6D, 6E &amp; 6F</b>
6C	RK 20126	Bowl Plug ( <b>O-ring Included in 8A</b> )
6D		Self-venting Drain ( <b>Gasket Included in 8A</b> )
6E		Bowl Ring
6F	RK 11542	Cap Screw Bowl Fasteners ( <b>set of 4</b> )



7	RK11-2083	Mounting Bracket Kit - <b>Includes Bracket &amp; 4 bolts</b>
---	-----------	--

### Accessories and Parts Available - *Not Shown*

8A	RK 11-1952	<b>Complete Seal Service Kit</b> - 1000FV Series Filters
8B	RK11-2085	1000FV Port Plug & Adapter Kit
8C	RK19671 RK19668 RK 19667	Stainless Steel T-handle with Vacuum Gauge Vacuum Gauge (30" Hg) - 1/4" NPT back or remote mount Compound Gauge - pressure (15 PSI) and vacuum (30" Hg)
8D	RK 14329 RK 14321	Water Detection Module - 12 vdc Water Detection Module - 24 vdc
8E	RK30880E	WIF Sensor/Detection Kit - 1/2"-20 UNF
8F	RK11-1978	Checkball Spring Kit
8G	RKP1912 RKP1924	Primer Pump Kit - 12 vdc - <i>Adds 3.25" (8.26 cm) to Height</i> Primer Pump Kit - 24 vdc - <i>Adds 3.25" (8.26 cm) to Height</i>