

Turbine Series - 791000VMA-VMAM

FUEL

Specifications: Diesel Applications

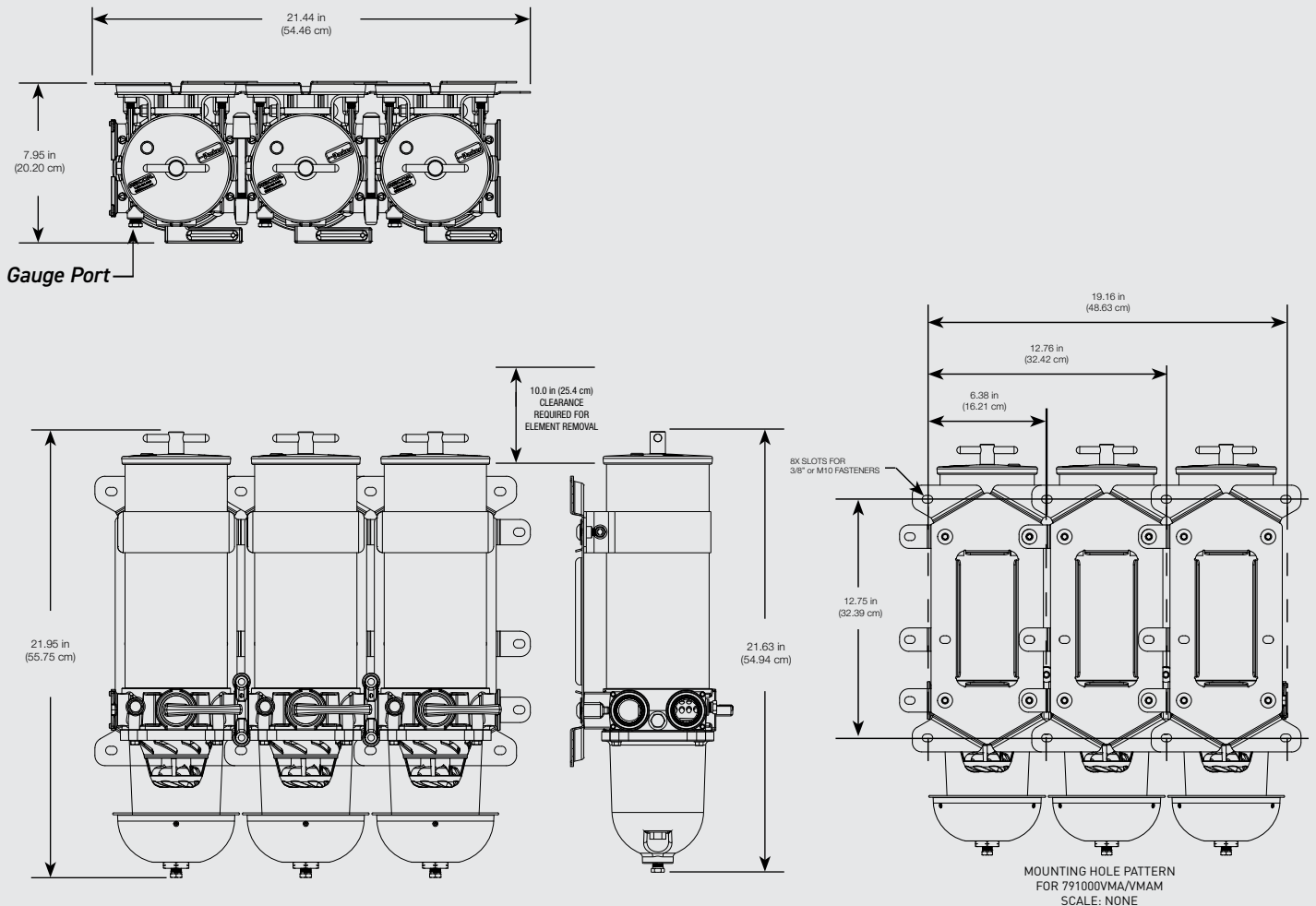
Height: 791000VMA: 21.95" (55.75 cm)
 791000VMAM: 21.63" (54.94 cm)
Width: 21.44" (54.46 cm)
Depth: 7.89" (20.02 cm)
Weight: 791000VMA: 37.6 lbs (17.0 kg)
 791000VMAM: 40.6 lbs (18.4 kg)
Ports: 1 5/16"-12 UN-2B (SAE 1926-1)
 2X Port Plugs Supplied
 2X 3/4" NPTF Adapters Supplied
Service Clearance (Top): 791000VMA/VMAM: 10.0" (25.4 cm)
Vacuum Installation Recommended
Maximum Head Pressure: 15 psi (1.03 bar)
Max Flow Rate: 791000VMA/VMAM: 540 gph (2044 lph)

Create a Part Number

Housing Type	Triple Turbine Model 540 GPH Flow Rate	Bowl Type	Clear with Heat Shield	Filtration Rating	10 micron
	791000V		MA MAM		10

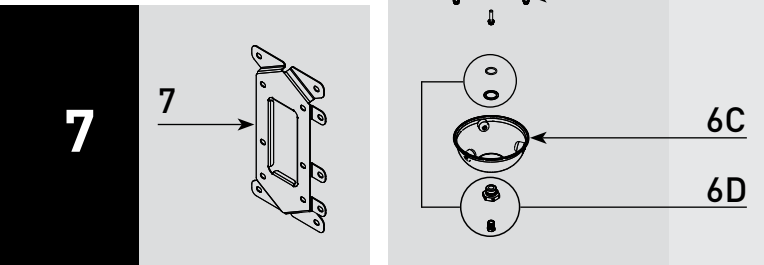
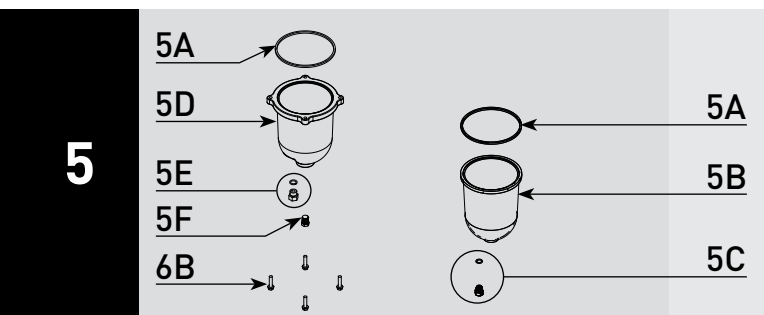
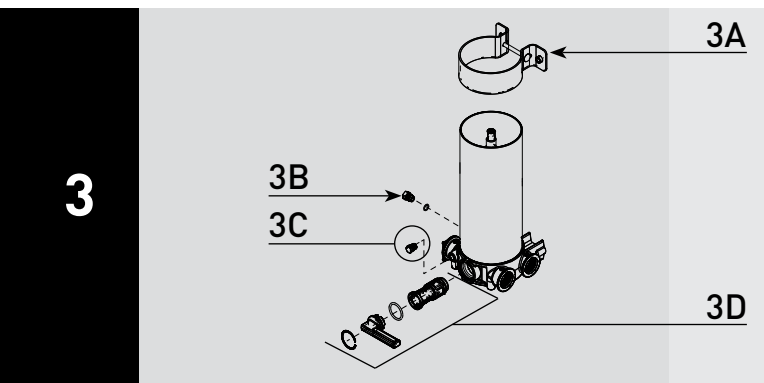
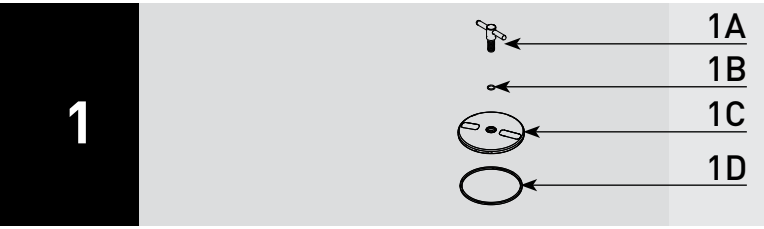
ASSEMBLY	DESCRIPTION
791000VMA10	Triplex 1000MA Turbine Assy., 10 micron Filter
791000VMAM10	Triplex 1000MAM Turbine Assy., 10 micron Filter

Dimensions:



PARTS

Turbine - 791000VMA-VMAM



Part #	Description
1A	RK11-2076-01 T-handle/Lid Kit - Includes 1B, 1C & 1D
1B	T-handle O-ring - Included in 8A
1C	1000VMA Lid
1D	Lid Gasket - Included in 8A

2A	2020V2 2020V2LL 2020V10 2020V30	1000VMA Service Filter 2 micron - Includes 1B & 1D 1000VMA Service Filter 2 micron (Long Life) - Includes 1B & 1D 1000VMA Service Filter 10 micron - Includes 1B & 1D 1000VMA Service Filter 30 micron - Includes 1B & 1D
----	--	--

3A	RK11-2077	Bracket Kit - Includes Bracket, Bolt, Washer, and Nut
3B	RK 11-1679	Feed-thru Plug - O-ring Included in 8A
3C	RK11-2078	Vacuum Gauge Port Plug (Metal)
3D	RK11-2079	Valve Rebuild Kit

4A		Checkball and Gasket - Included in 8A
4B	RK11-2080	Centrifuge/Baffle/Checkball/Gasket Kit - Includes 4A Checkball and Gasket - Included in 8A

5A		Bowl Gasket - Included in 8A
5B	RK 11-1606-1	Bowl Kit - Includes 5A, 5C, 6D (o-ring & gasket only)
5C	RK 20126	Bowl Plug (O-ring Included in 8A)
5D	RK 11734-03	MAM Bowl Kit (Metal) - Includes 5A, 5E, 5F and 6B
5E	RK 20022	Metal Bowl Plug Kit (MAM) (O-ring Included in 8A)
5F	RK11-2078	Drain Plug (Metal)

6A	RK 11037A-01	Bowl Ring Kit (For MA Only - White) - Includes 5A & 6B
6B	RK 11542	Cap Screw Bowl Fasteners (set of 4)
6C	RK 11868	Heat Deflector Kit (MA) - Includes 6D
6D	RK 11-1910	Drain Plug Kit (MA) (Gasket & O-ring Included in 8A)

7	RK11-2083-01	Mounting Bracket Kit - Includes Bracket & 4 bolts
---	--------------	--

Accessories and Parts Available - Not Shown

8A	RK 11-1404	Complete Seal Service Kit - 900/1000 Series Filters
8B	RK11-2085	1000VMA(M) Port Plug & Adapter Kit
8C	RK19671 RK19668 RK19667	Stainless Steel T-handle with Vacuum Gauge Vacuum Gauge (30" Hg) - 1/4" NPT back or remote mount Compound Gauge - pressure (15 PSI) and vacuum (30" Hg)
8D	RK 14329 RK 14321	Water Detection Module - 12 vdc Water Detection Module - 24 vdc
8E	RK30880E RK23191	WIF Sensor/Detection Kit - 1/2"-20 UNF WIF Probe - Stainless Steel - 1/2"-20 UNF - 2-wire (VMAM) - Requires 8D
8F	RK11-1978	Checkball Spring Kit - For use with Primer Pump Kit 8G
8G	RKP1912 RKP1924	Primer Pump Kit - 12 vdc - Adds 3.25" (8.26 cm) to Height Primer Pump Kit - 24 vdc - Adds 3.25" (8.26 cm) to Height