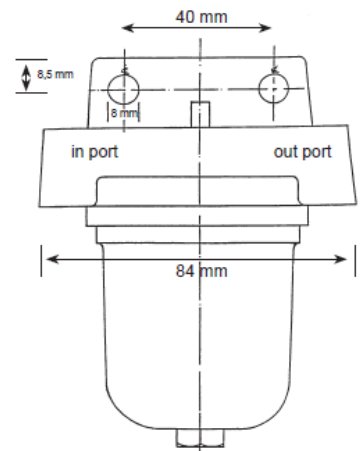
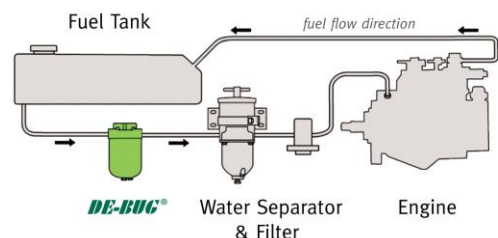
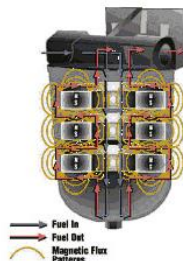
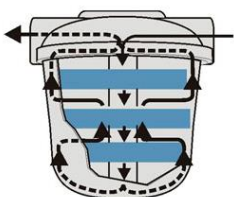


DE-BUG magnetic diesel filter is the Patented and proven cure of diesel bug, including microbial contamination. DE-BUG is a one time fit and forget solution and once installed in the fuel line, the DE-BUG treatment unit cleans and polishes your diesel fuel as your appliance is operating.

DeBug L140

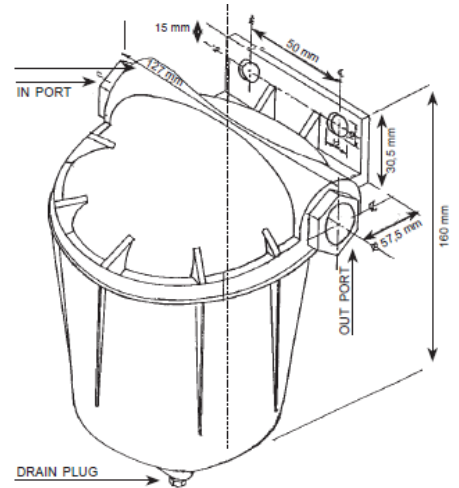


FUEL TYPES	Diesel fuel, marine diesel, light oils and gas oil
RECOMMENDED FLOW RATE	Up to 140 litres/hour.
FLOW DIRECTION WITH UNIT MOUNTED	Left to right
MATERIALS	Marine grade LM6 anti-corrosive aluminium alloy.
WEIGHT	0.31 Kilograms
SIZE	60 mm diameter by 105 mm height by 84mm wide
PORT SIZE	¼ inch NPT
OPERATING PRESSURE	40 psi
INSTALLATION	Two 8mm bolts.

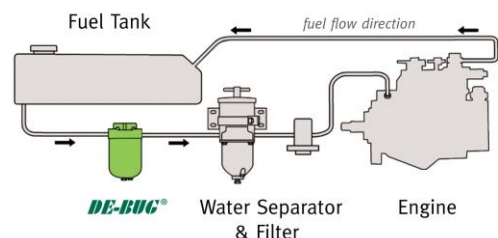
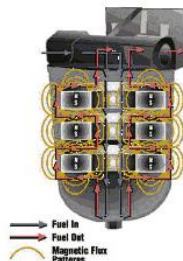
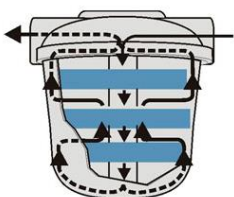


DE-BUG magnetic diesel filter is the Patented and proven cure of diesel bug, including microbial contamination. DE-BUG is a one time fit and forget solution and once installed in the fuel line, the DE-BUG treatment unit cleans and polishes your diesel fuel as your appliance is operating.

DeBug L500

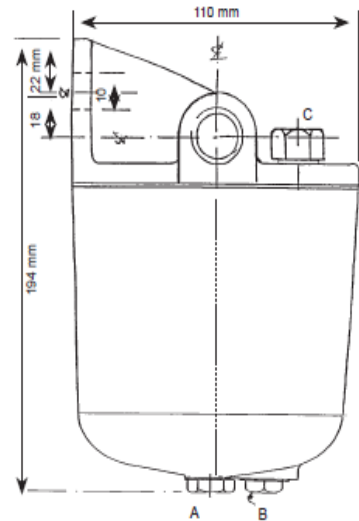


FUEL TYPES	Diesel fuel, marine diesel, light oils and gas oil
RECOMMENDED FLOW RATE	Up to 500 litres/hour
FLOW DIRECTION WITH UNIT MOUNTED	Left to right
MATERIALS	Marine grade LM6 anti-corrosive aluminium alloy.
WEIGHT	1.5 Kg
SIZE	115mm diameter by 150 mm high by 124 mm wide.
PORT SIZE	½ inch NPT
OPERATING PRESSURE	50 psi
INSTALLATION	Two 10mm bolts.

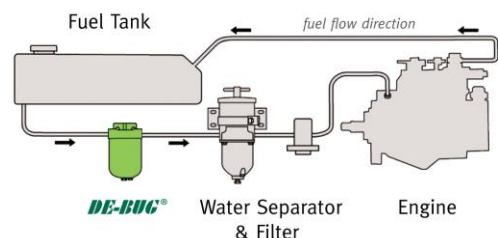
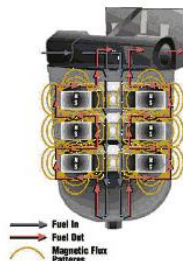
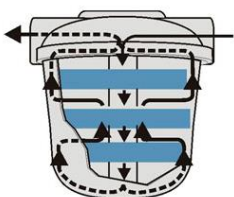


DE-BUG magnetic diesel filter is the Patented and proven cure of diesel bug, including microbial contamination. DE-BUG is a one time fit and forget solution and once installed in the fuel line, the DE-BUG treatment unit cleans and polishes your diesel fuel as your appliance is operating.

DeBug L1000

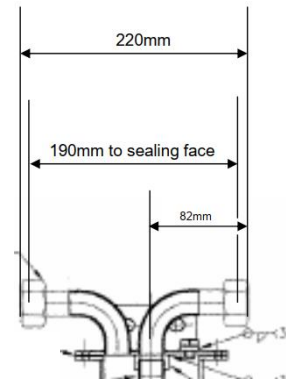


FUEL TYPES	Diesel fuel, marine diesel, light oils and gas oil
RECOMMENDED FLOW RATE	Up to 1000 litres/hour
FLOW DIRECTION WITH UNIT MOUNTED	Left to Right and Right to Left on request
MATERIALS	Marine grade LM6 anti-corrosive aluminium alloy.
WEIGHT	1.98 Kg
SIZE	110mm diameter by 194 mm high by 114 mm wide.
PORT SIZE	7/8" UNF
OPERATING PRESSURE	50 psi
INSTALLATION	Two 10mm bolts.

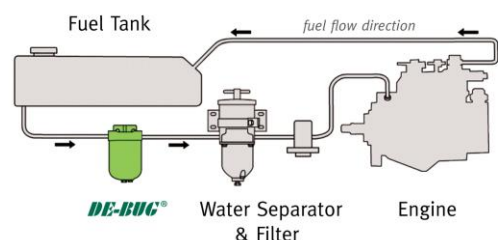
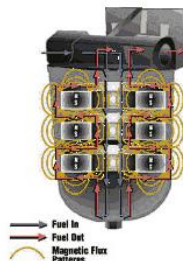
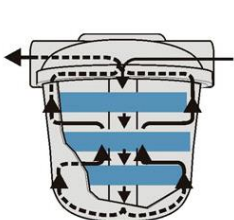


DE-BUG magnetic diesel filter is the Patented and proven cure of diesel bug, including microbial contamination. DE-BUG is a one time fit and forget solution and once installed in the fuel line, the DE-BUG treatment unit cleans and polishes your diesel fuel as your appliance is operating.

DeBug L2000

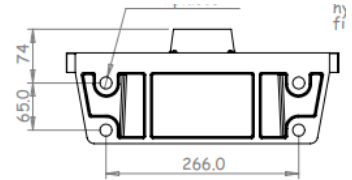
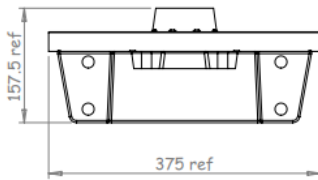
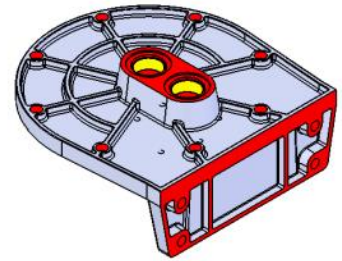


FUEL TYPES	Diesel fuel, marine diesel, light oils and gas oil
RECOMMENDED FLOW RATE	Up to 2000 litres/hour
MATERIALS	316 Stainless Steel (powder coated)
WEIGHT	7.5 Kg
SIZE	152mm diameter by 360mm high by 170mm deep
PORT SIZE	1" Hydraulic connectors
OPERATING PRESSURE	50 psi



DE-BUG magnetic diesel filter is the Patented and proven cure of diesel bug, including microbial contamination. DE-BUG is a one time fit and forget solution and once installed in the fuel line, the DE-BUG treatment unit cleans and polishes your diesel fuel as your appliance is operating.

DeBug L5000



FUEL TYPES	Diesel fuel, marine diesel, light oils and gas oil
RECOMMENDED FLOW RATE	Up to 5000 litres/hour
MATERIALS	LM25, marine grade, anti-corrosive, aluminium alloy.
WEIGHT	21.5 kilograms
SIZE	333mm high by 375mm wide by 386mm deep
PORT SIZE	24 SAE (1½ ") Straight Thread O-Ring Boss (ORB) (central inlet port, off centre rear outlet port)
OPERATING PRESSURE	50 psi
INSTALLATION	Four 16mm bolts.

