



Clean Fuel & Lubricant Solutions

Clean DEF Filter

P575057

Donaldson's new Clean Diesel Exhaust Fluid (DEF) Filter offers a convenient, effective way to deliver clean DEF into your equipment and protect your entire fleet's SCR systems.

If DEF is not filtered, urea crystals and other contaminants picked up during storage and handling can cause the SCR system to malfunction. The Donaldson Clean DEF Filter removes harmful particulate, preventing plugged dosing valves and enabling the SCR to do the important job of reducing harmful NOx emissions.

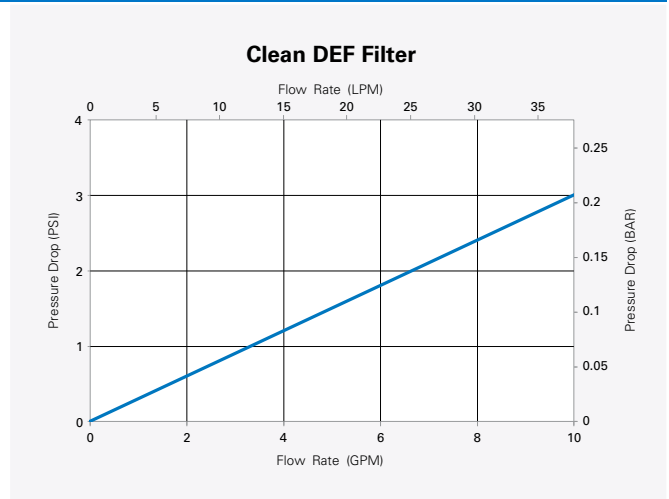
Designed and produced in the USA, Donaldson DEF filters provide superior efficiency down to 1 micron and are impervious to the corrosive effects of DEF.

Housing and filter element are sold separately.



SPECIFICATIONS

DEF Filter Housing (Choice of Connection)	P575057 1" NPT P575058 1" BSPT Both models include mounting bracket and filter wrench
DEF Filter Element	P575059 sold separately
DEF Housing o-ring	P575060 replacement part
Efficiency	1 micron @ Beta 5000 (99.98%)
Max. Flow Range	10 gpm / 38 lpm
Working Pressure	300 psi / 724 kPa / 7.24 bar
Fluid Compatibility	DEF
Operating Temperature	12 to 122 °F / -11 to 50 C°
Housing Construction	316 stainless, EPR o-ring
Filter Material	Polypropylene, EPDM gaskets
Gauge Ports	¼" NPT, upstream and downstream
Drain Plug	¼" NPT



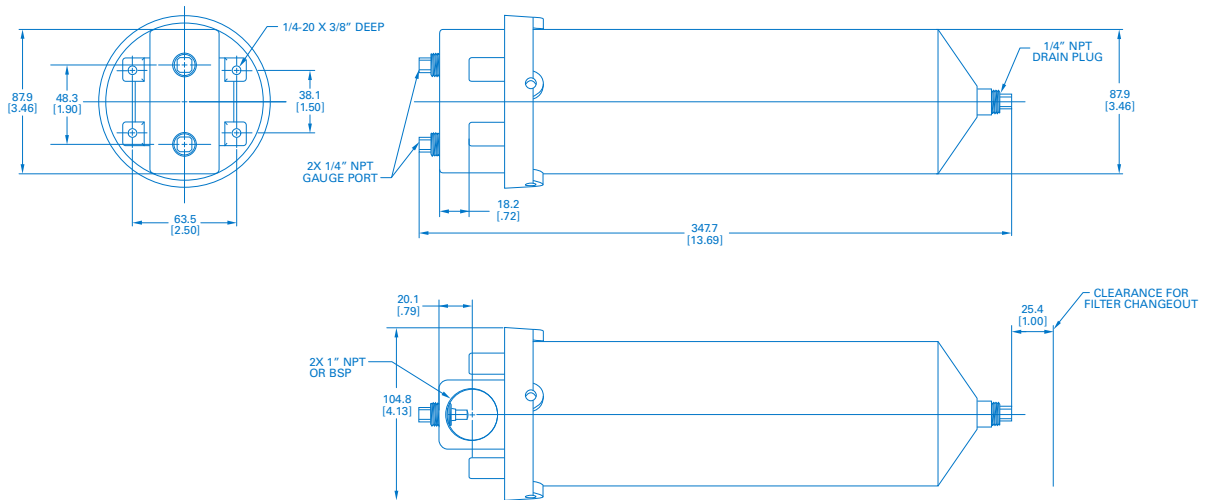
FEATURES

APPLICATIONS

- DEF dispensers up to 10 GPM
- Indoors or outdoors (in temperate climates only, see spec)

- Heavy duty stainless steel housing
- 1" inline connections for easy installation
- Built-in drain plug for convenient servicing
- Equipped with two NPT gauge ports
- Extremely efficient filter media cleans to 1 micron

DIMENSIONS



CAUTION

DEF IS HIGHLY CORROSIVE. All pipe fittings must be compatible with DEF. Most plastics as well as stainless steel are acceptable. Carbon steel, zinc, aluminum, brass, copper, etc. are not recommended due to undesirable chemical reactions. If any of these materials are used in your system they should be immediately replaced with a compatible material.

INSTALLATION

- Do not modify the filter housing or connections
- Mount filter housing vertically to a secure bracket using 1/4"-20 screws (included)
- Use a light coating of silicon based grease on housing o-ring prior to assembly
- Securely seal housing prior to initial use
- Apply pressure to the system slowly, checking for leaks



MAINTENANCE

- Change filter element when flow slows to an unacceptable level
- Before servicing ensure the filter has been depressurized and isolated
- Use included wrench to loosen ring-nut. Remove ring-nut and bowl
- Inspect housing gasket and replace if damaged. Apply a thin layer of silicone based grease to the gasket before assembly
- Re-pressurize the system slowly while checking for leaks
- During startup or after filter changes, slowly dispense fluid until all the air is purged from the system

MyClean**DIESEL**.com



**Snijder
Filtertechniek bv**

Randweg 1 | 8061 RW Hasselt
Tel: 038 4773800
Fax: 038 4773888
info@snijderfiltertechniek.nl
www.snijderfiltertechniek.nl

Brochure No. F11511 ENG (10/14)

© 2014 Donaldson Company, Inc. All rights reserved. Donaldson Company, Inc. reserves the right to change or discontinue any model or specification at any time and without notice. Printed in the U.S.A.