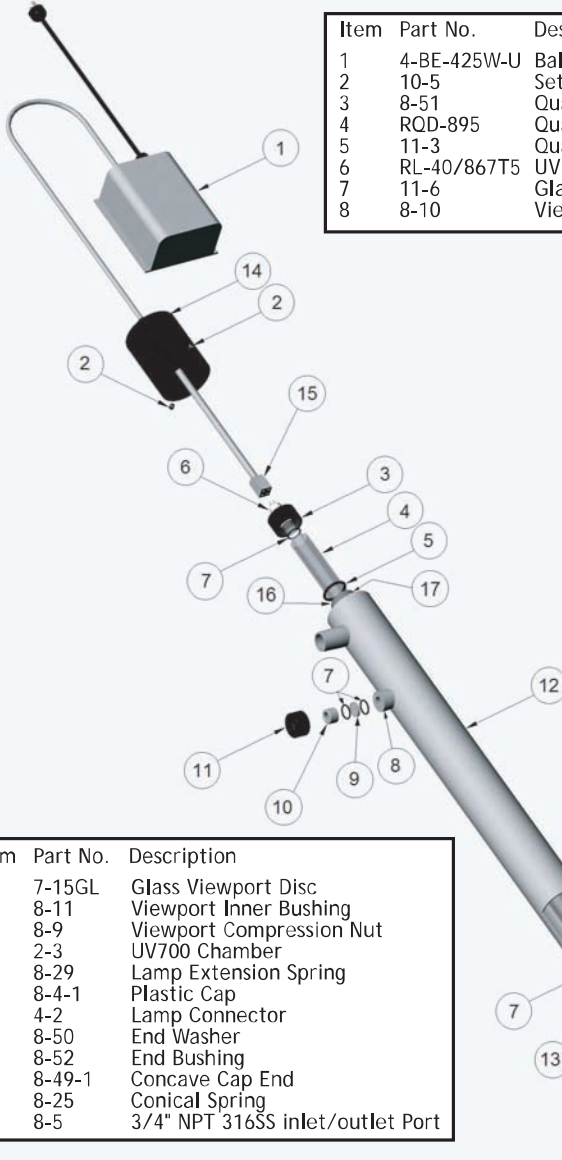


## UV Purification Systems

Technical Info

### UV-700

### Exploded Diagram & Parts List



Item	Part No.	Description
1	4-BE-425W-U	Ballast
2	10-5	Set Screw
3	8-51	Quartz Compression Nut
4	RQD-895	Quartz Domed Sleeve 22x25x895
5	11-3	Quartz Sleeve Seal 2-211
6	RL-40/867T5	UV Lamp
7	11-6	Glass Disc Seal/Lamp O-ring 2-113
8	8-10	Viewport Outer Bushing

Item	Part No.	Description
9	7-15GL	Glass Viewport Disc
10	8-11	Viewport Inner Bushing
11	8-9	Viewport Compression Nut
12	2-3	UV700 Chamber
13	8-29	Lamp Extension Spring
14	8-4-1	Plastic Cap
15	4-2	Lamp Connector
16	8-50	End Washer
17	8-52	End Bushing
18	8-49-1	Concave Cap End
19	8-25	Conical Spring
20	8-5	3/4" NPT 316SS inlet/outlet Port